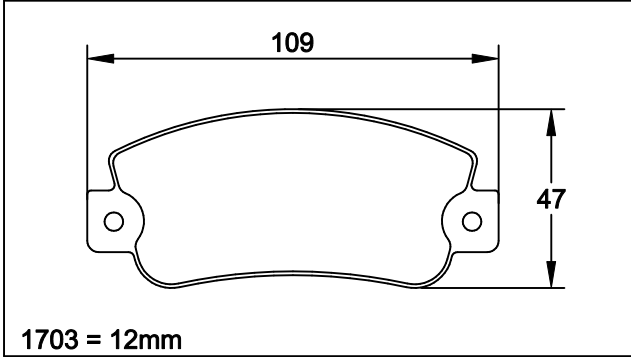
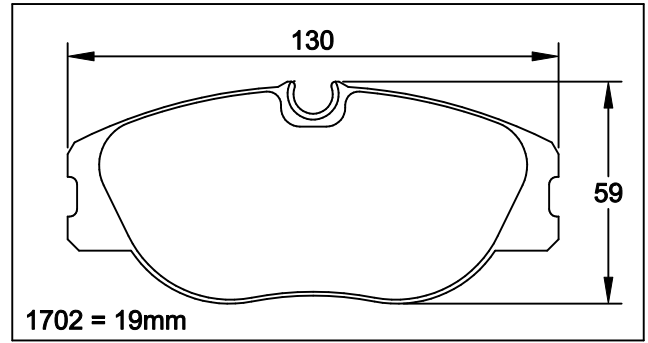
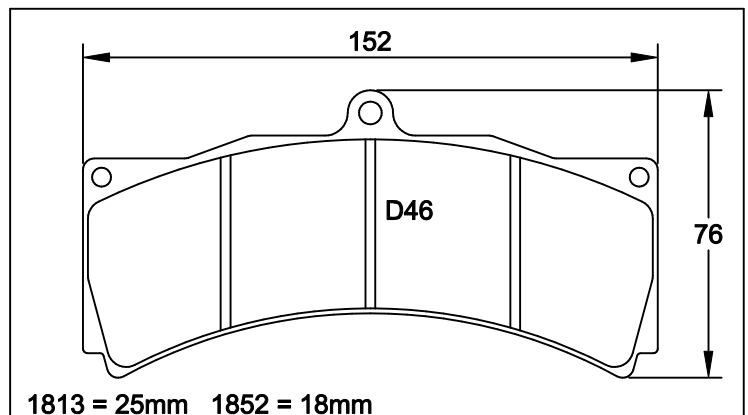
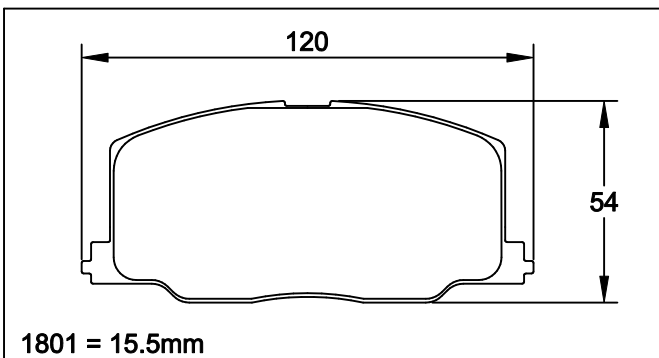
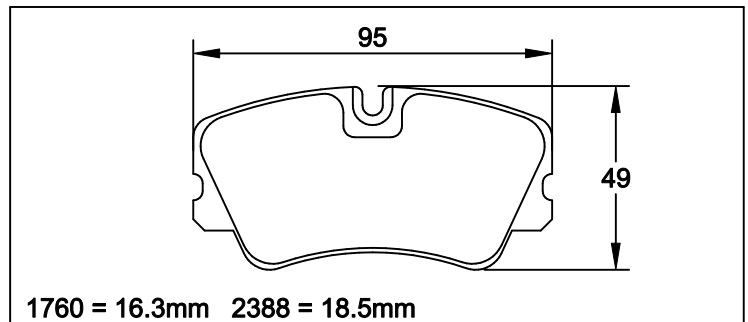
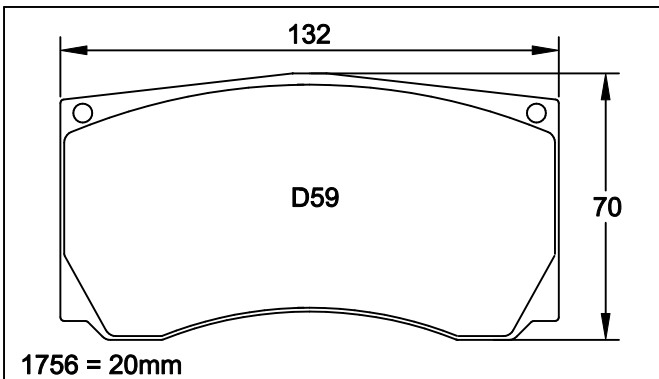
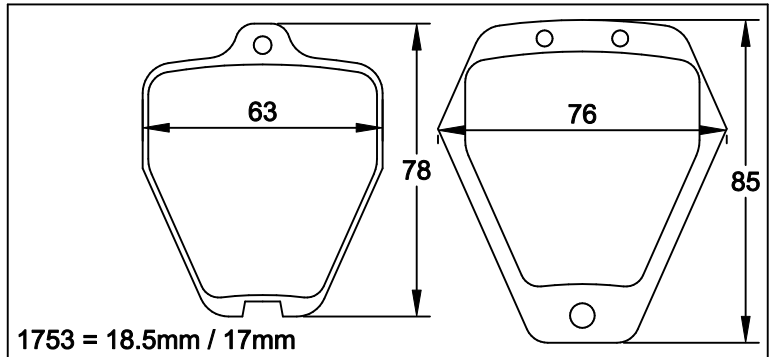
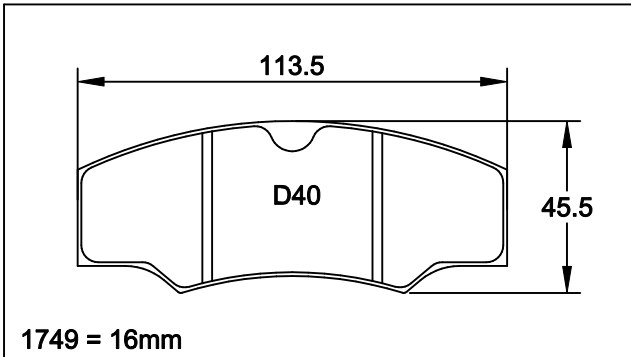
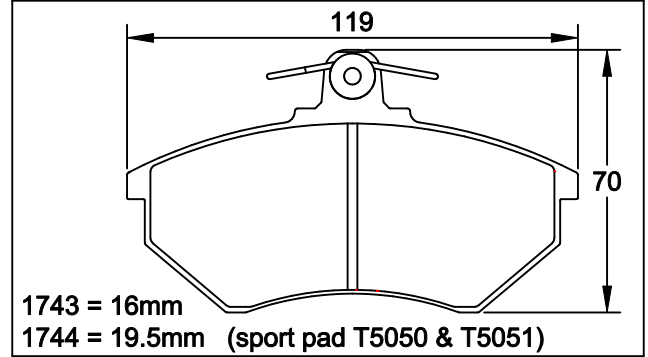


1697
see
2180



1705
see
1283



Illustrations are for identification purpose only. The right of modification in construction, design or model application is reserved.
Even if shown in the drawing, accessories such as clips, springs, rivets, wear indicators, damping shims etc. are generally not part of PAGID RS pads.